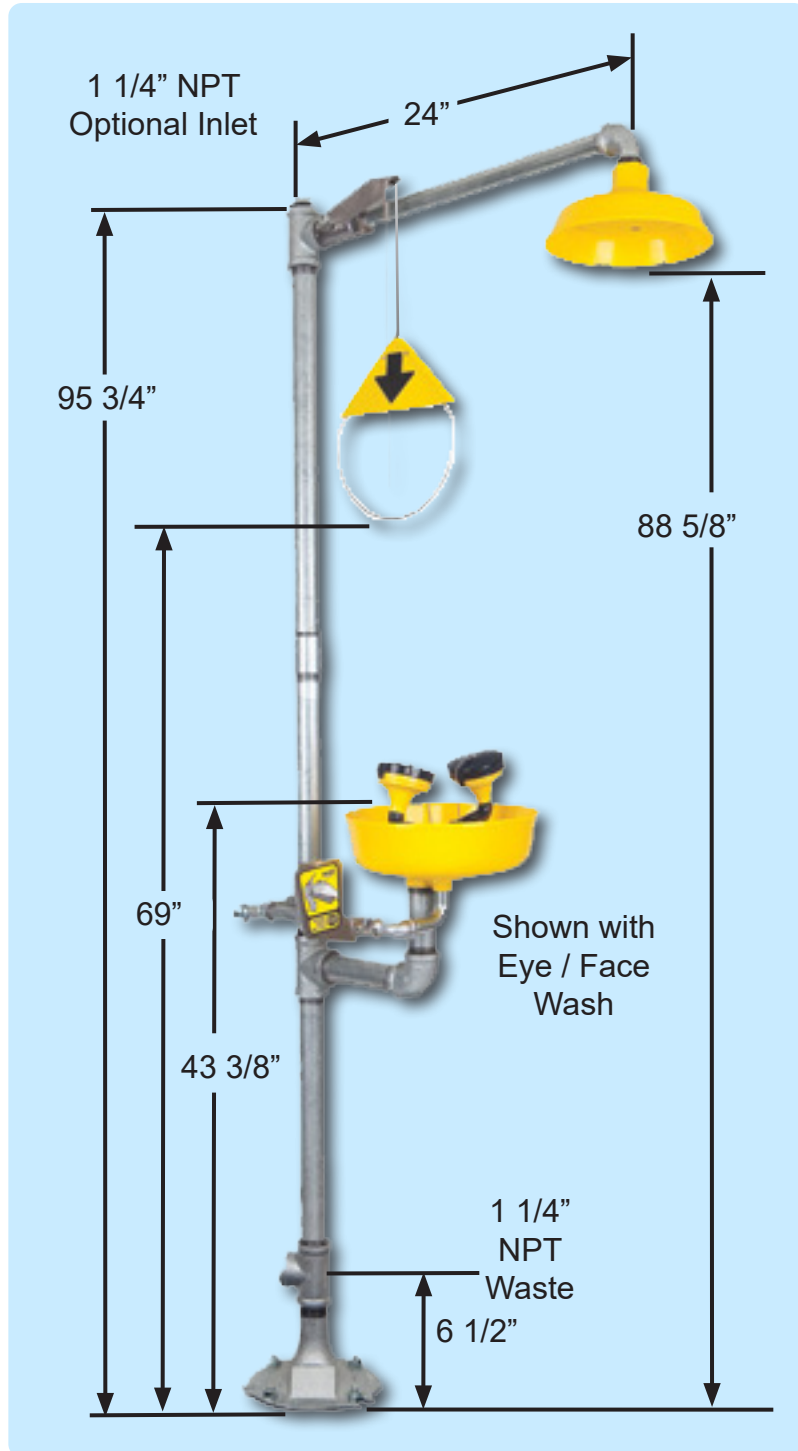


# ***Drench Shower/Eye Face Wash***

**The Drench Shower provides a continuous stream of non-injurious water for 15 minutes or longer, after activation.**



- Shower head manufactured of UV resistant high visibility yellow ABS plastic.
- Shower head delivers a minimum of 20" diameter pattern to the target area 60" above standing level.
- Eye/Face wash heads with float off covers manufactured of UV resistant ABS plastic mounted in a high visibility ABS Yellow Bowl
- Combination shower and eye/face wash shall deliver 30 GPM @ 30/70 psi of flowing pressure from the shower head and 8.0 GPM @ 30/70 psi of flowing pressure from the eye/face wash.

Certified to ANSI Z358.1 shall deliver 30 GPM @ 30/70 psi of flowing pressure from the shower head and 8.0 GPM @ 30/70 psi of flowing pressure from the eye/face wash.

## **CONSTRUCTION:**

- SUPPLY: 1 1/4" NPT
- WASTE: 1 1/4" NPT
- WEIGHT: 59 lbs (26.76 kgs)
- PIPING: Schedule 80 hot dip galvanized steel.
- BOWL: High visibility ABS plastic Yellow Bowl.
- EYE/FACE WASH HEAD: ABS plastic dual stream heads with ABS plastic float off covers secured with stainless steel bead chains.

**Cat. No. 16605**

